

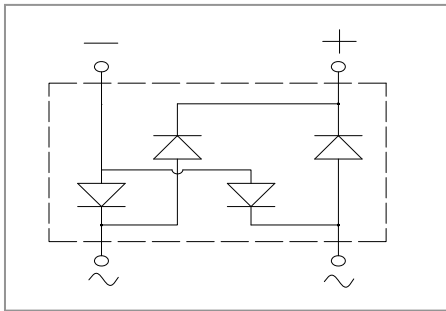
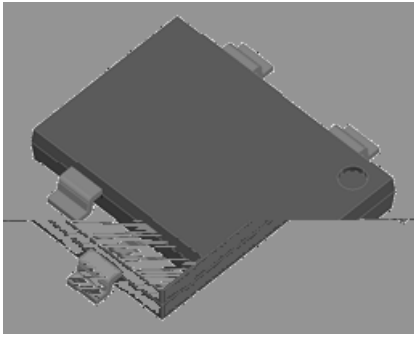


< % 6 0

7 + 5 8 < % 6 0

RoHS  
COMPLIANT

# % U L G J H 5 H F W L I L H U V



) H D W X U H V  
 " 8 / U H F R J Q I L W H R Q  
 " \* O D V V S D V V L Y D W H G F K L S M X Q F W L R Q  
 " , G H D O I R D W D H G W S R P D F H P H Q W  
 " + L J K V X U J H F X U U H Q W F D S D E L O L W \\  
 " 0 H H W V 0 6 / O H Y H 6 0 ' S H W P D [ L P X P  
 S H D N R I f &

7 \ S L F D O \$ S S O L F D W L R Q V  
 \* H Q H U D O S X U S R V H X G J H L Q C S Q Z D Y E W U H F W L I L H  
 6 0 3 6 O L J K W L Q J E D H O E D W H M H U D G F K S W J H U K R  
 D S S O L D Q F H H T X B S I R H G W D Q G W H O H F R P P X Q L F D  
 D S S O L F D W L R Q V

0 H F K D Q L F D O ' D W D  
 " 3 D F N D J H % 6  
 0 R O G L Q J F R P S R X / Q G P H H O V P P D E L O L W \  
 U D W L Q J 5 R G 6 D F C R P S + D O R J H Q I U H H  
 " 7 H U P L Q 7 L Q V S O D W H G O H D G V V R O G H U D E O H S  
 - 6 7 ' D Q G - ( 6 ' %  
 " 3 R O D U S L W R D U N H G R Q E R G \

## V O D [ L P X P 5 D W D Q J V 8 Q O H V V R W K H U A L V H V S H F L I L H G

3 \$ 5 \$ 0 ( 7 ( 5	6 < 0 % 2 8 1 , < % 6 0	< % 6 0	< % 6 0	< % 6 0	< % 6 0	< % 6 0	< % 6 0	< % 6 0
' H Y L F H P D U N L Q J F R G H		< % 6 0	< % 6 0	< % 6 0	< % 6 0	< % 6 0	< % 6 0	< % 6 0
0 D [ L P X P 5 H S H W L W L Y H 3 H D N 9 5 5 1 0 Y H U								
0 D [ L P X P 5 0 6 9 R O W D J H	9 5 0 6	9						
0 D [ L P X P ' & E O R F N L Q J 9 R O W D J H	9 5 0 6	9						
\$ \$ H U D J H U H F W L I L H G R X W S X W F X U U H Q W # + ] V L Q H Z D Y H 5 O R D G 7 F 2 \$								
) R U Z D U G 6 X U J H & X U U H Q W	p 0 ` € P P X W F X U U T M € F H 1 3 T , É u y ` € 0 € 0 d ` U J H 3 F X U U T M € F H p δ 0 p † 5 H							# € 5 € V

--	--	--

& X U U H Q W V T X D U H G W L P H  
 # P V " W " P V 7 M 5 D W L Q J R I S H W \$  
 G L R G H

0 D [ L P X P ' & U H Y H U V H F X U U H Q W - D W U D W H G ' & E O R F N L Q J S Y R O W D J H S H U G L R G H		7 M -	
7 \ S L F D O M X Q F W L R Q F D S D E L W D Q F H 9 R O W D J H R I		9 ' &	



< % 6 0

7 + 5 8 < % 6 0

v7KHUPDO & KDUDFVHUL&VQV RWKHU&LVH VSHFLILHG

3 \$ 5 \$ 0 ( 7 ( 5		6 < 0 % 2	8 1 ,	< % 6 0	< % 6 0	< % 6 0	< % 6 0	< % 6 0	< % 6 0	< % 6 0
7 \ S L F D O 7 K H U P D O 5 H V L V W	% H W Z H H Q - X D Q G \$ P E L H Q W	Q F W L R Q 5 - \$								
	% H W Z H H Q - X D Q G / H D G	Q F W L R Q 5 - /								
	% H W Z H H Q - X D Q G & D V H	Q F W L R Q 5 - &								

1 R W H ' H Y L F H P R X Q W H G R Q 3 & % Z L W K P P P P P P

v2 U G H U L Q J , Q I R U P D W L R Q



<%60

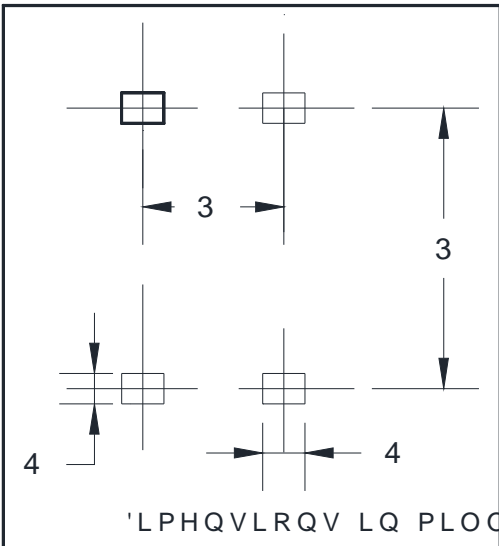
7+58 <%60

v 2XWOLQH 'LPHQVLRQV



<%6		
'LP	0LQ	0D[
\$		
%		
&		
'		
(		
)		
*		
+		
7		

v 6XJJHVVHGG SDG OD\RXW



<%6	
'LP	0LQ
3	
3	
4	
4	



< % 6 0

7 + 5 8 < % 6 0

'LVFODLPHU

7KH LQIRUPDWLRQ SGRFWRUHQHG LQ IRKLVKIDHJHQRK-BOJMLH (OHFWURQLF 7HFKQRO  
ULJKW WR PDNH FKDLFHVRZLWKR XWSKRLSULFRG\KFRV\ RGLWSOD\HG KHUHLQ WURGLFSLWRQ  
RU RWKHUZLVH

7KH SURGXFW OLVWHG KHUHLQ LV GHVQLHGWGRQR FEHTXLVISEHZLWKRUR LGHLYLDFHVVWIDQG  
HTXLSPHQW RU GHYLFHV ZKLFK UHTGLW KHKEPDKOIXHQFVQGRQLRHHOZLWNLORVGDQXFKU  
PHGLFDO LQVWUXPHQWVITWLSDFHCSR UDWLWURV SODFHDFDEKULQDFWRLOFRQVQGRBOHUMU  
GHYLFHV <DQJMLH RU DQ\RQH RQ LWV\OE\WKDQJ ODLVEXLPHLWQRURWHDGSRQDYEJHVHUV  
RIVDOH

7KLV SXEOLFDWLRQISVDSFHUWIDGIDVLQURQJPDVXLSRQLISEGHYLRURXVGLWLRQDO LQWRHUPDWLR  
KWVZ [\DQJMLHRFRFR](#) PRQVXOW \RXU QHDUHVW <DQJMLVHMIDQVFDIOHV RILFH IRU IXUW